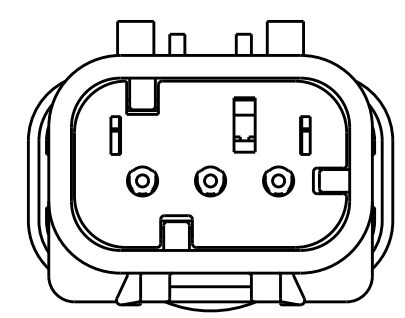
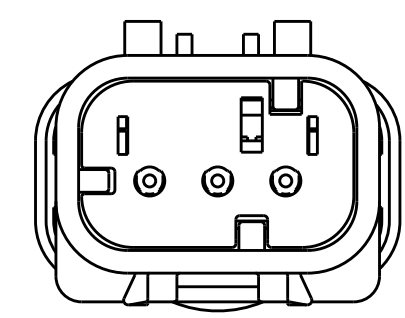


THIS DRAWING IS UNPUBLISHED. RELEASED FOR PUBLICATION  
 © COPYRIGHT 20 BY - ALL RIGHTS RESERVED.

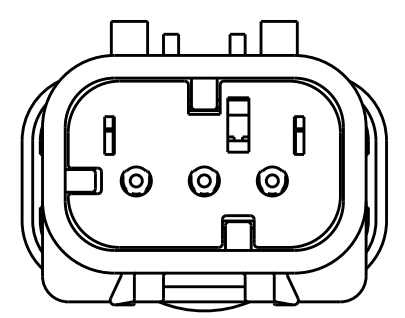
REVISIONS				
P	LTR	DESCRIPTION	DATE	DWN APVD
C		REVISED PER ECO-13-019095	05DEC2013	DR RB



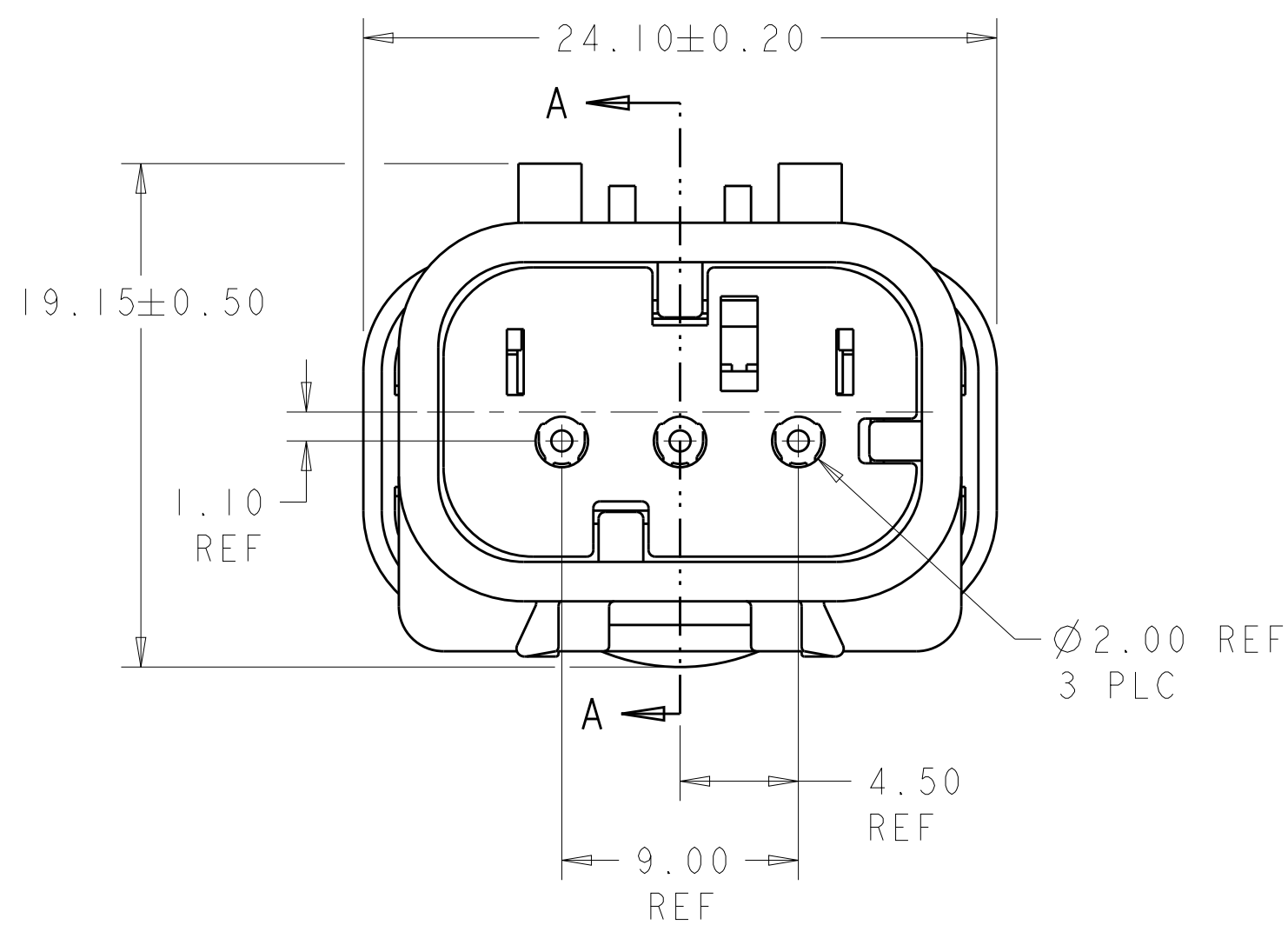
776535-2  
SCALE 2:1  
KEY B



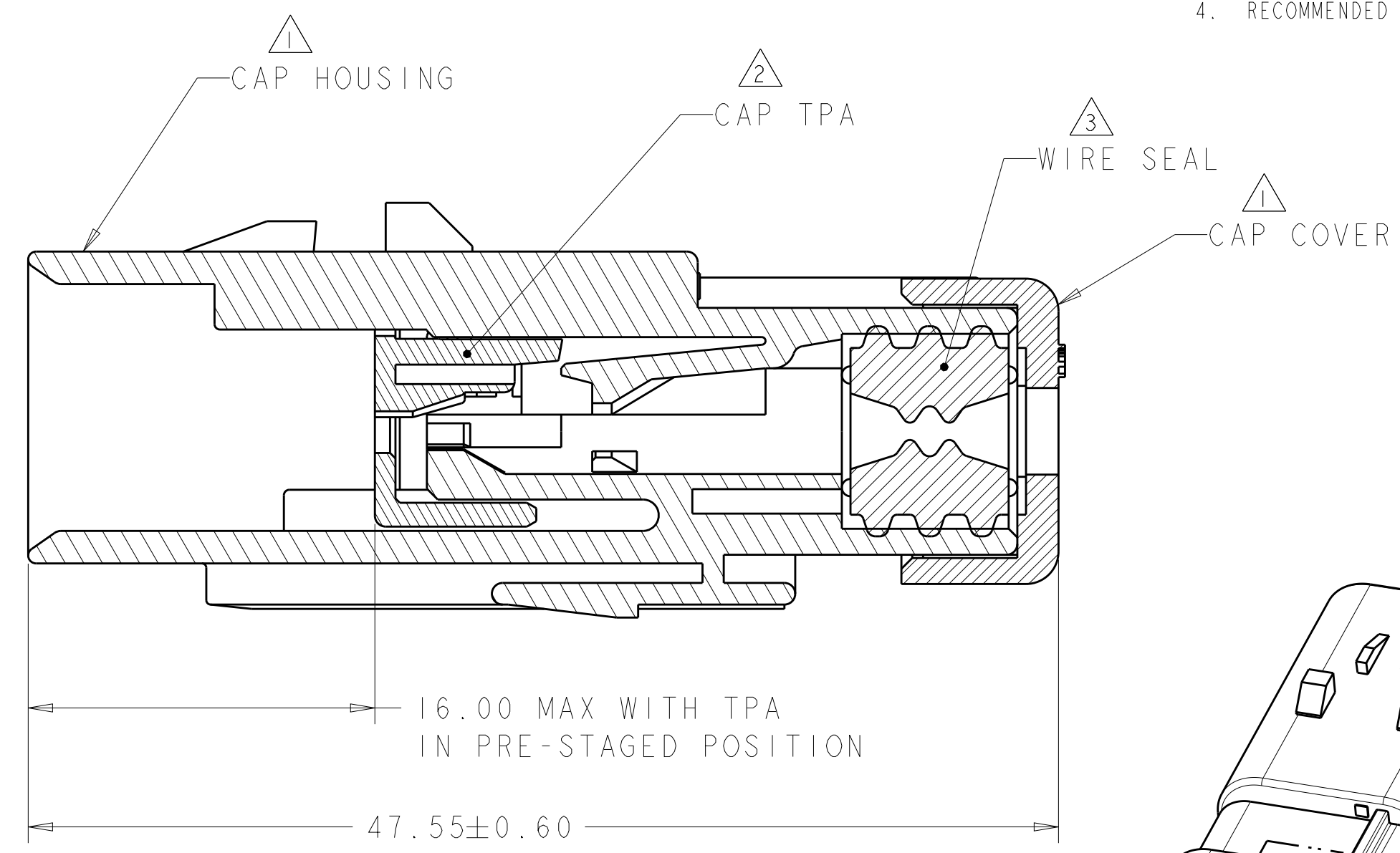
776535-3  
SCALE 2:1  
KEY C



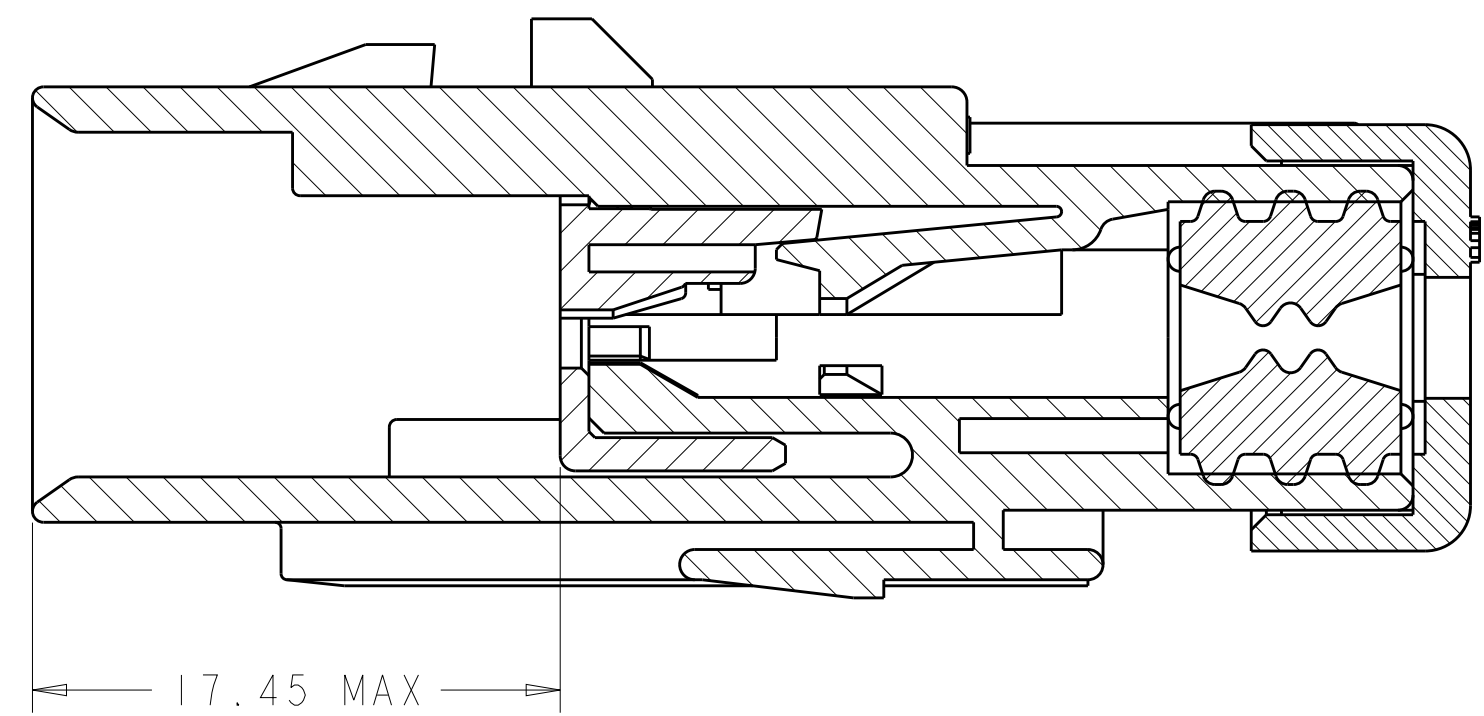
776535-4  
SCALE 2:1  
KEY D



776535-1 SHOWN  
KEY A

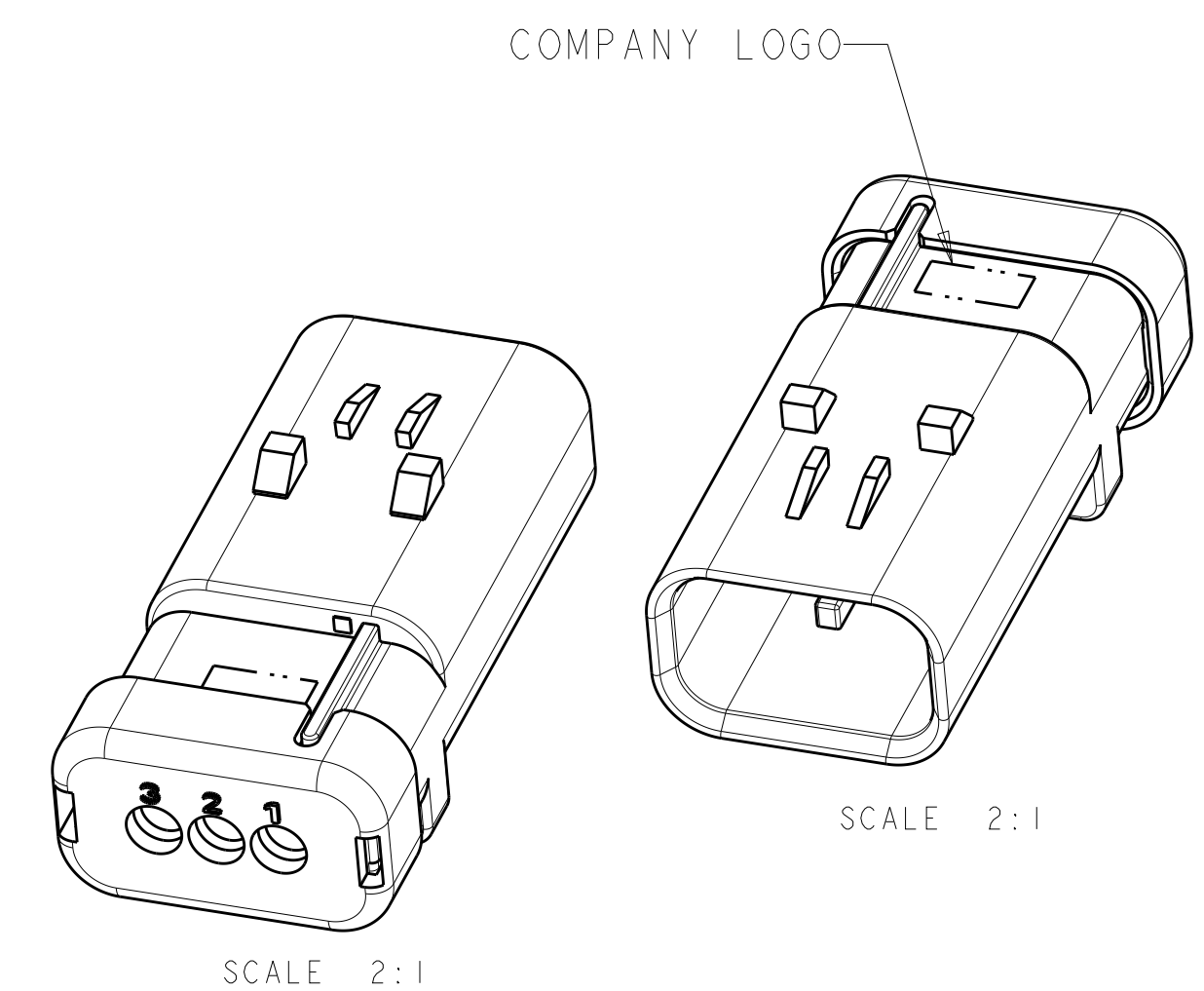


SECTION A-A



SECTION A-A  
WITH TPA IN CLOSED POSITION

- 1 MATERIAL: 15% GLASS FILLED THERMOPLASTIC  
COLOR: BLACK
- 2 MATERIAL: 15% GLASS FILLED THERMOPLASTIC  
COLOR: (SEE TABLE)
- 3 MATERIAL: SILICONE  
COLOR: RUST
- 4. RECOMMENDED WIRE DIAMETER RANGE IS 1.30 TO 2.54mm



D	GREEN	776535-4
C	YELLOW	776535-3
B	GRAY	776535-2
A	RED	776535-1
KEY	TPA COLOR	PART NUMBER

THIS DRAWING IS A CONTROLLED DOCUMENT.

DWN	Y. PETERSON	22FEB00
CHK	R. GREINER	11DEC01
APVD	M. TRULLI	11DEC01
PRODUCT SPEC	108-2184	
APPLICATION SPEC	114-13065	
WEIGHT	10	
Customer Drawing		

TE Connectivity

NAME: CAP ASSEMBLY, 3 POSITION, SINGLE ROW, REDUCED DIA WIRE SEAL AMPSEAL 16

SIZE	CAGE CODE	DRAWING NO	RESTRICTED TO
A2	00779	C-776535	-

SCALE 4:1 SHEET 1 OF 1 REV C